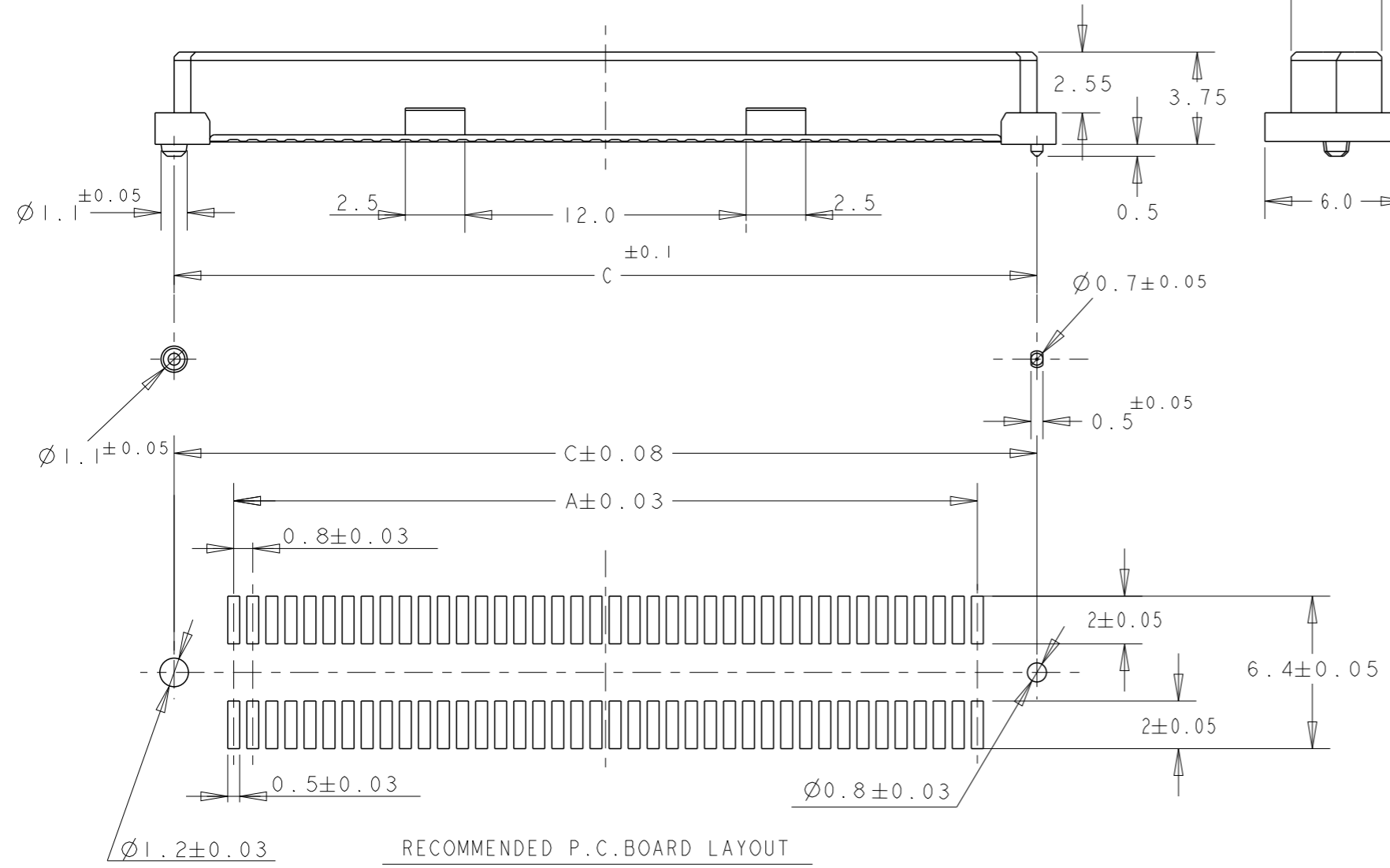
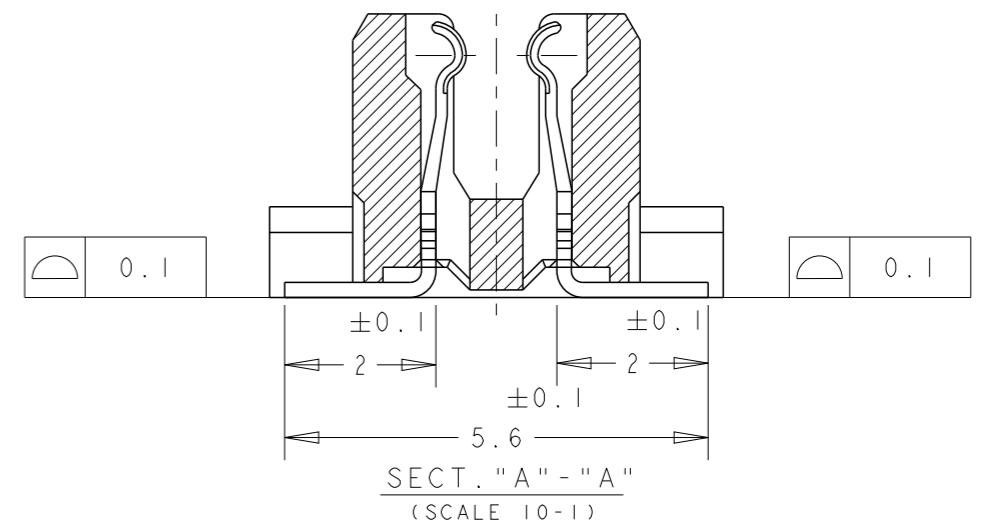
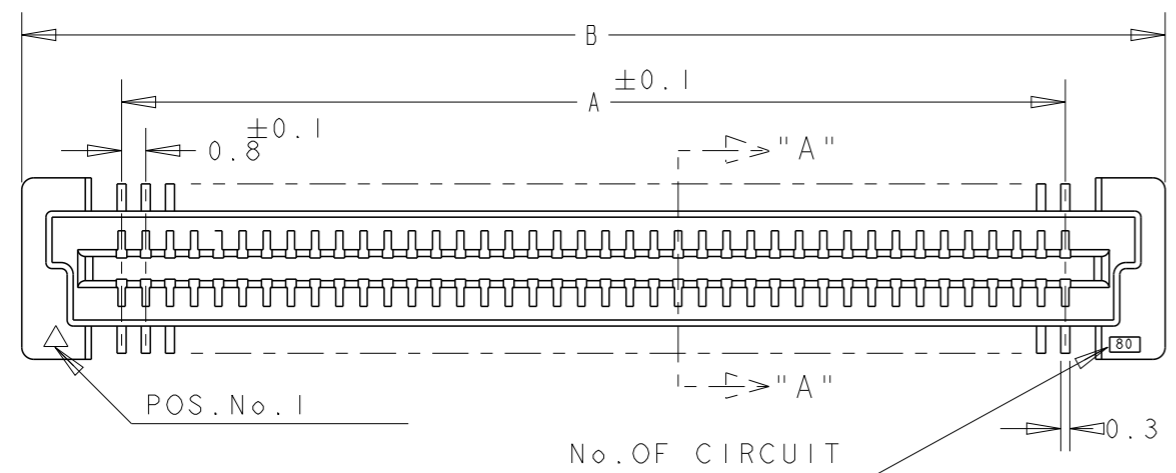


THIS DRAWING IS UNPUBLISHED. RELEASED FOR PUBLICATION 20
 © COPYRIGHT 20 BY - ALL RIGHTS RESERVED.

LOC		DIST		REVISIONS			
P	LTR	DESCRIPTION	DATE	DWN	APVD		
DY	-						
	A2	REVISED PER ECR-13-004900	19MAR13	I.T	S.Y		



- NOTES;
- 1 MATERIAL: HOUSING: L.C.P. (HIGH TEMP. THERMOPLASTIC)
UL 94V-0, NATURAL.
CONTACT: BERYLIUM COPPER.
 - 2 FINISH: CONTACT AREA: 0.00076 MIN GOLD ON
0.0013 MIN ALL OVER NICKEL.
SOLDERING AREA: 0.002 MIN MATTE-TIN.
 - 3. POSITION SERIES: SEE TABLE.
 - 4. CONN STACK HEIGHT COMBINE OF PLUG "Y" H VS REC "X" H.
STACK HEIGHT = Y + X - 5

P/N SEE SHEET 2 OF 2

THIS DRAWING IS A CONTROLLED DOCUMENT.		DWN 16SEP04 FLORENCE TAN		TE Connectivity	
DIMENSIONS: mm		CHK 20MAR2013 ERIC TNG			
		TOLERANCES UNLESS OTHERWISE SPECIFIED:		NAME REC ASSY FOR FH 0.8BTB CONNECTOR 5H 0.5 BOSS LENGTH (0.76um GOLD)	
		0 PLC ±- 1 PLC ±0.30 2 PLC ±0.25 3 PLC ±0.20 4 PLC ±- ANGLES ±3°		APVD 20MAR2013 SF LEONG PRODUCT SPEC 108-5390	
MATERIAL -		FINISH -		APPLICATION SPEC 114-5254	
				WEIGHT -	
				SIZE A3	
				CAGE CODE 00779	
				DRAWING NO C-6123000	
				RESTRICTED TO -	
				SCALE 4:1	
				SHEET 1 OF 2	
				REV A2	

THIS DRAWING IS UNPUBLISHED.

RELEASED FOR PUBLICATION

20

LOC

DIST

REVISIONS

© COPYRIGHT 20 BY -

ALL RIGHTS RESERVED.

DY

-

P

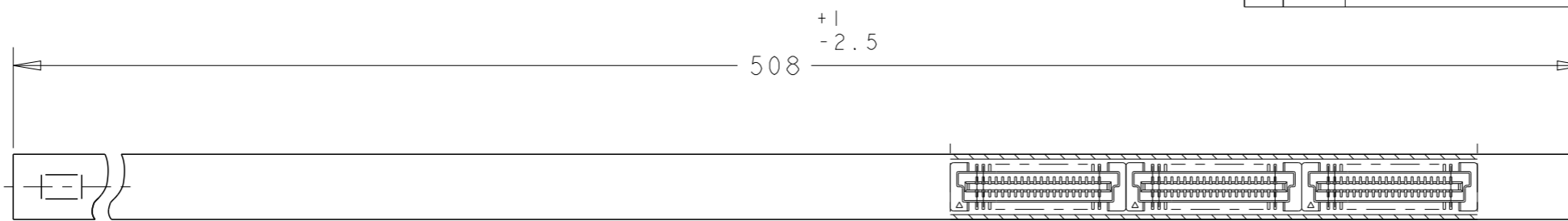
LTR

DESCRIPTION

DATE

DWN

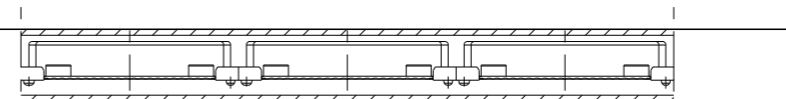
APVD



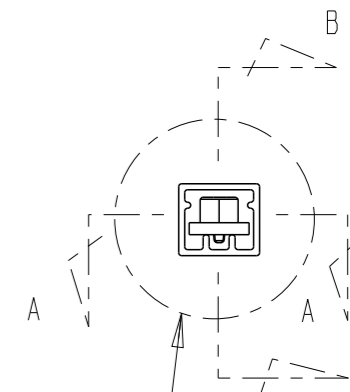
SECT A-A



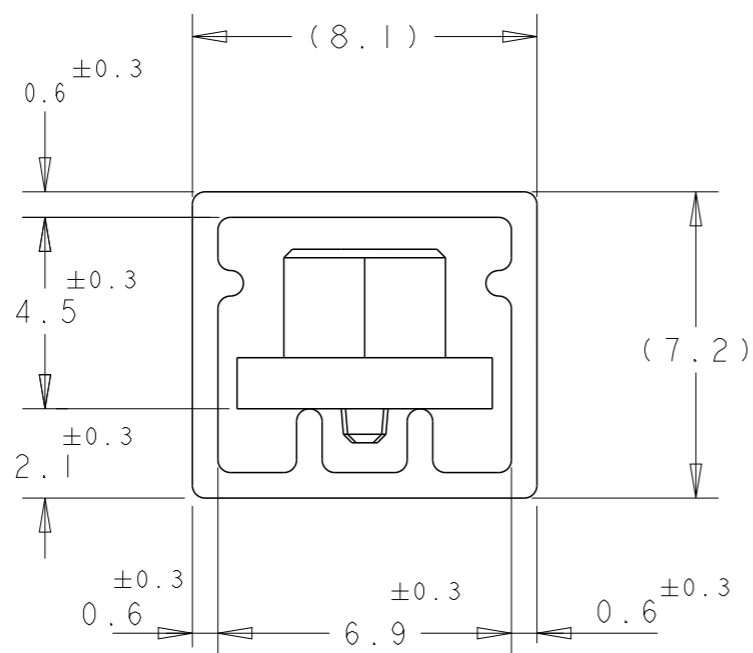
REFERENCE PICTURE OF TUBE PACK



SECT B-B



DETAIL A



DETAIL A

AVAILABLE							
5	84.2	85.8	79.2	200	1-		-0
6	76.2	77.8	71.2	180			-9
6	68.2	69.8	63.2	160			-8
7	60.2	61.8	55.2	140			-6
9	52.2	53.8	47.2	120			-5
10	44.2	45.8	39.2	100			-4
12	36.2	37.8	31.2	80			-3
16	28.2	29.8	23.2	60			-2
22	20.2	21.8	15.2	40			6123000-1
STATUS	QTY	C	B	A	POS.	CONN P/N	

THIS DRAWING IS A CONTROLLED DOCUMENT.

DWN 16SEP04 FLORENCE TAN
CHK 20MAR2013 ERIC TNG
APVD 20MAR2013 SF LEONG

PRODUCT SPEC 108-5390
APPLICATION SPEC 114-5254
WEIGHT -

STE TE Connectivity

NAME REC ASSY FOR FH 0.8BTB CONNECTOR 5H 0.5 BOSS LENGTH (0.76um GOLD)

SIZE A3 CAGE CODE 00779 DRAWING NO. C=6123000 RESTRICTED TO -

CUSTOMER DRAWING SCALE 4:1 SHEET 2 OF 2 REV A2